

FROM NORTH TO SOUTH, A SINGLE PARTNER FOR THOSE WHO REQUIRE QUALITY WITHOUT COMPROMISE IN THE ORGANIZATION OF NATIONAL-WIDE FIELDWORKS

A multifunctional location equipped for focus groups, workshops, test centers, meetings and briefings, easy reaching, equipped with the most advanced technologies with large and comfortable spaces. A point of reference to guarantee to our customers the quality of ever and to be even faster, more organized, effective and also close.

SEDE:
**FIELDGOOD
MILAN**

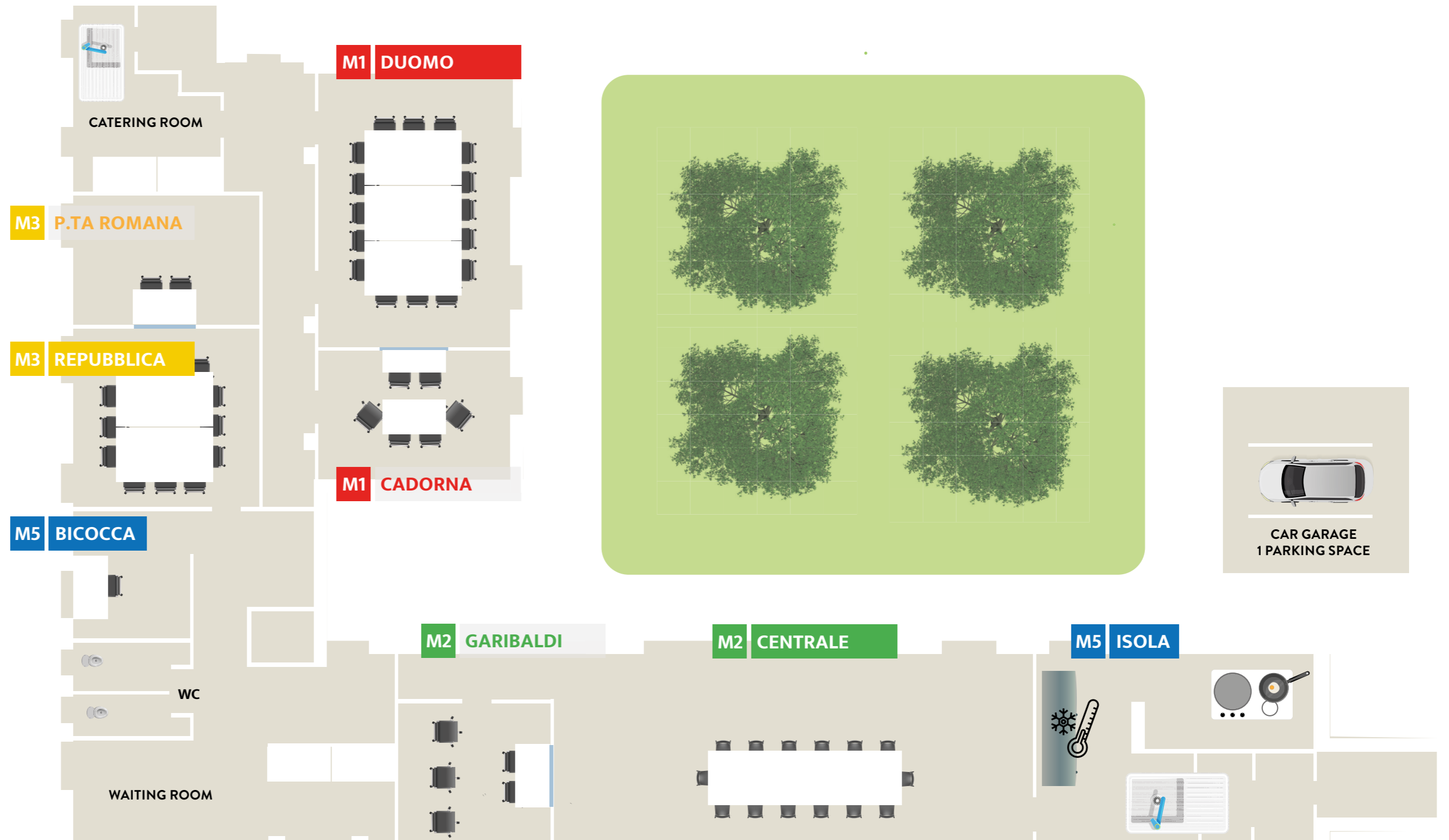
Total area 303 sqm

EQUIPMENT AND SERVICES OFFERED:

- Room for audio and video recording
- Coffee Break and Catering also for intolerant, vegan
- Air-conditioned rooms
- Double Wi-Fi with back-up line
- Photocopies BW /Color (A5, A4, A3, A3+)
- Board and Concept printing service
- Storage and distribution of products
- Purchase of gifts
- Shelves, fridges, freezers
- Board and concept displays
- Product displays
- Car garage

THE WORKS THAT ARE CARRIED OUT IN OUR HEADQUARTER CAN BE FOLLOWED BY:

- Observers' Room with One-Way mirror
- Our other interconnected rooms with closed circuit
- Web Streaming
- Waiting room



M3 REPUBBLICA

Interview Room

LAYOUT: **Idi's, Diadi, Triadi e Focus Group da 4**

SIZES:

4,55 m × 4,27 m

19,42 m²

RECEPTIVE CAPACITY

It can accommodate up to 10 pax

EQUIPMENT AND SERVICES:

- Air-conditioned rooms
- WI-FI
- 42" monitor
- AV recording of the works
- Plexiglass on the wall to hang boards and concepts

POSSIBLE ADDITIONAL EQUIPMENT:

- POS shelves
- Product display
- Sofas

THE WORKS OF THIS ROOM CAN BE FOLLOWED BY:

- Porta Romana with One-Way
- other rooms connected with an internal closed circuit
- Web Streaming
- Focus Vision



M3 P.TA ROMANA

Observers' Room on Repubblica

SIZES:

4,55m × 3,08m

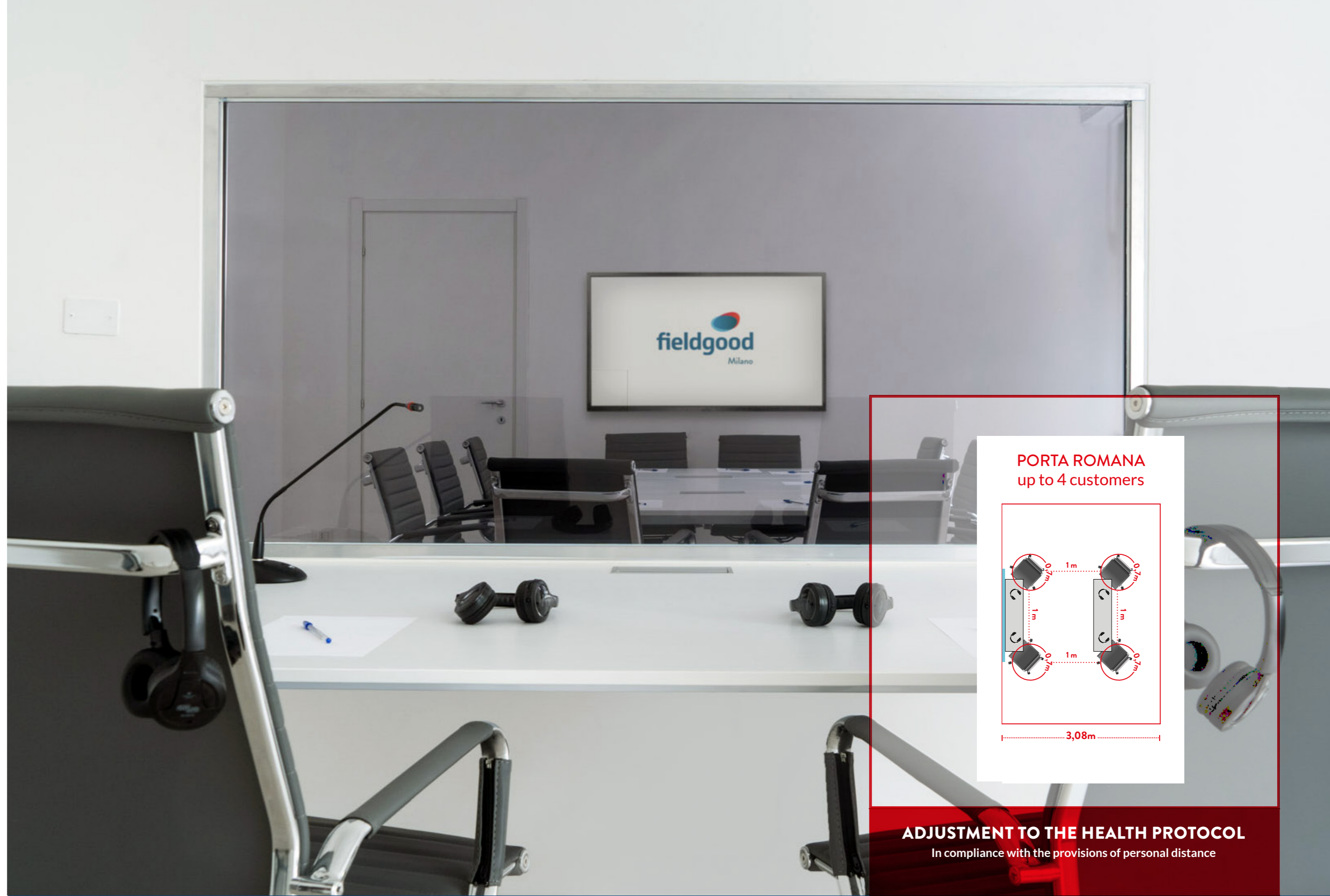
14,14 m²

RECEPTIVE CAPACITY:

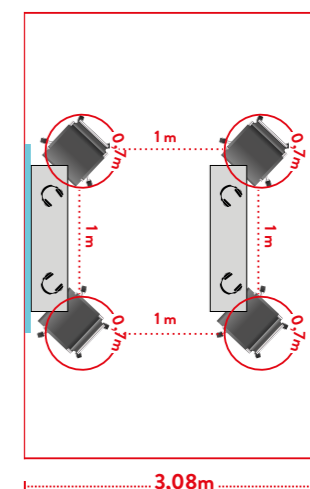
It can accommodate up to 4 pax

EQUIPMENT AND SERVICES:

- One-way mirror
- Listening in wireless headphones or in diffusion from speakers
- Mini bar



PORTA ROMANA
up to 4 customers



ADJUSTMENT TO THE HEALTH PROTOCOL
In compliance with the provisions of personal distance

M1 DUOMO

Interview Room

LAYOUT: **Focus Group**

SIZES:

4,69 m × 5,82 m
27,29 m²

RECEPTIVE CAPACITY:

Può ospitare fino a 12-14 persone

EQUIPMENT AND SERVICES:

- Air-conditioned rooms
- WI-FI
- 42" monitor
- AV recording of the works
- Plexiglass on the wall to hang boards and concepts

POSSIBLE ADDITIONAL EQUIPMENT:

- POS shelves
- Product display
- Sofas

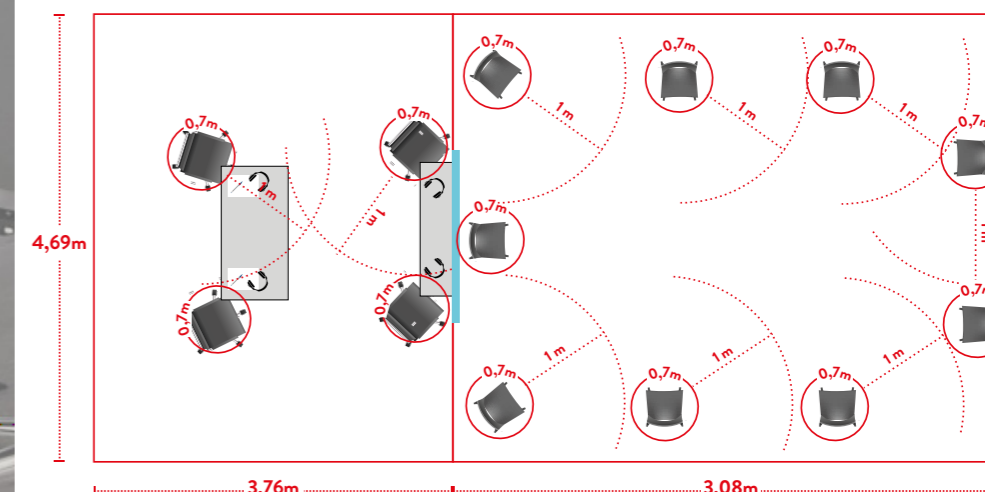
THE WORKS OF THIS ROOM CAN BE FOLLOWED BY:

- Porta Romana with One-Way
- other rooms connected with an internal closed circuit
- Web Streaming



CADORNA
up to 4 customers

DUOMO
Focus group (armchairs only) · up to 9 pax



ADJUSTMENT TO THE HEALTH PROTOCOL

In compliance with the provisions of personal distance



M1 CADORNA

Observers' Room on Duomo

SIZES:

4,69m x 3,79m

17,77 m²

RECEPTIVE CAPACITY:

8 pax with table, 20 pax in theater style

EQUIPMENT AND SERVICES:

- One-way mirror
- Listening in wireless headphones or in diffusion from speakers
- Mini bar
- Air-conditioned rooms



ADJUSTMENT TO THE HEALTH PROTOCOL
In compliance with the provisions of personal distance

M2 CENTRALE

Multi-purpose Workspace

LAYOUT: **Meeting in theater style**

SIZES:

4,51m × 11,67 m

m² 52,63

RECEPTIVE CAPACITY:

It can accommodate up to 60 pax

EQUIPMENT AND SERVICES:

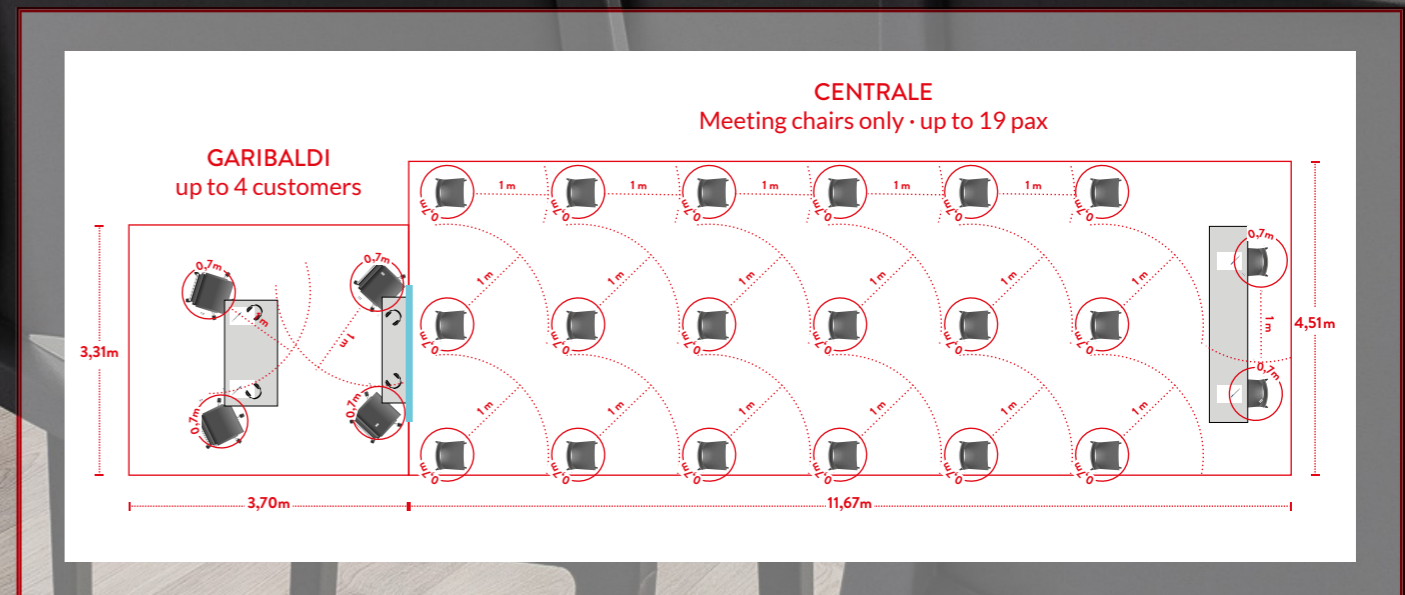
- Air-conditioned rooms
- WI-FI
- 60" monitor
- AV recording of the works
- Plexiglass on the wall to hang boards and concepts

POSSIBLE ADDITIONAL EQUIPMENT:

- POS shelves
- Product display
- Sofas

THE WORKS OF THIS ROOM CAN BE FOLLOWED BY:

- Garibaldi with One-Way
- other rooms connected with an internal closed circuit
- Web Streaming
- Focus vision



ADJUSTMENT TO THE HEALTH PROTOCOL
In compliance with the provisions of personal distance

M2 CENTRALE

Multi-purpose Workspace

LAYOUT: **Meeting with chairs & desks**

SIZES:

4,51m × 11,67 m

m² 52,63

RECEPTIVE CAPACITY:

It can accommodate up to 20 pax

EQUIPMENT AND SERVICES:

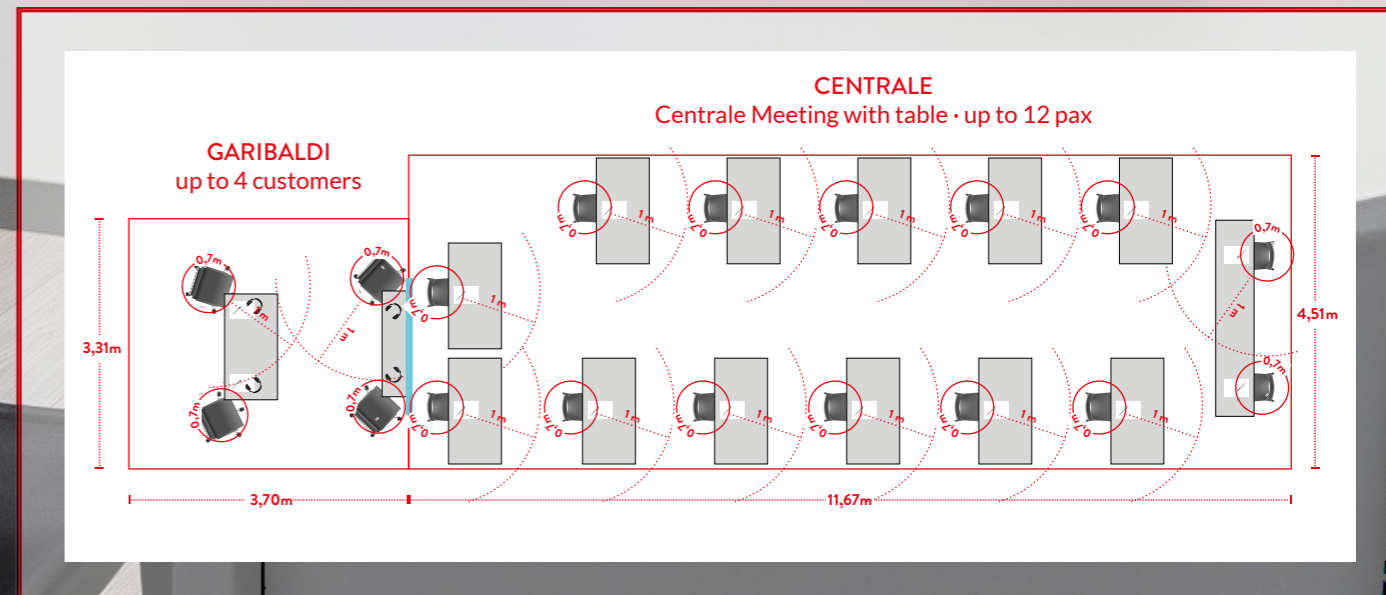
- Air-conditioned rooms
- WI-FI
- 60" monitor
- AV recording of the works
- Plexiglass on the wall to hang boards and concepts

POSSIBLE ADDITIONAL EQUIPMENT:

- POS shelves
- Product display
- Sofas

THE WORKS OF THIS ROOM CAN BE FOLLOWED BY:

- Garibaldi with One-Way
- other rooms connected with an internal closed circuit
- Web Streaming
- Focus vision



ADJUSTMENT TO THE HEALTH PROTOCOL
In compliance with the provisions of personal distance

M2 CENTRALE

Multi-purpose Workspace

LAYOUT: **Workshop & Focus Group**

SIZES:

4,51m × 11,67 m
m² 52,63

RECEPTIVE CAPACITY:

single table up to 20 pax
workshop up to 16 pax

EQUIPMENT AND SERVICES:

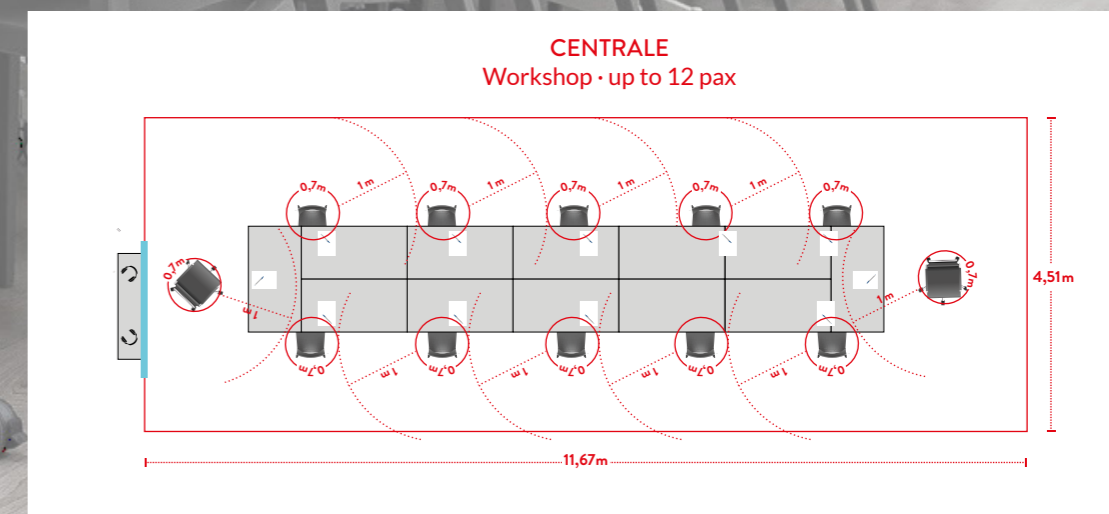
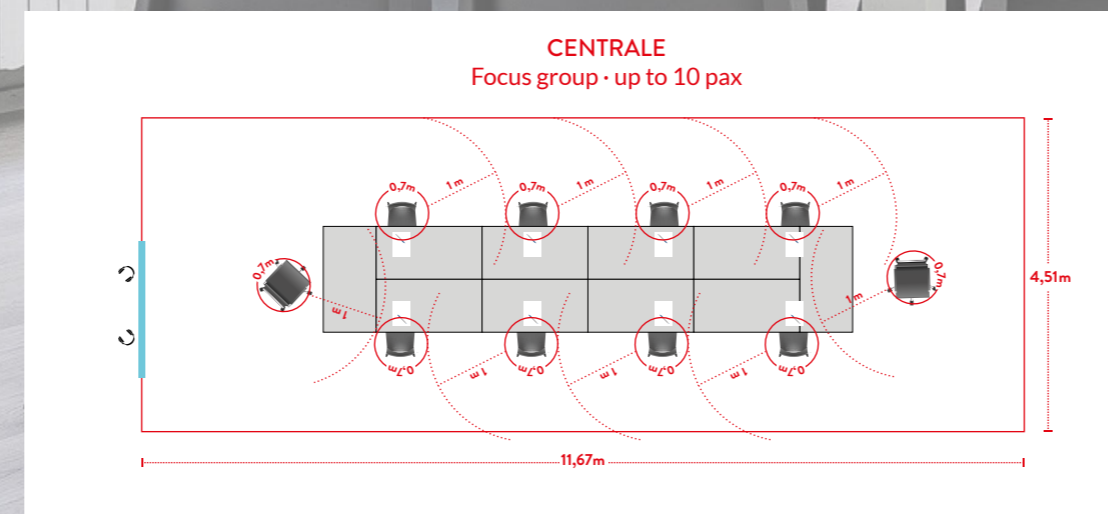
- Air-conditioned rooms
- WI-FI
- 60" monitor
- AV recording of the works
- Plexiglass on the wall to hang boards and concepts

POSSIBLE ADDITIONAL EQUIPMENT:

- POS shelves
- Product display
- Sofas

THE WORKS OF THIS ROOM CAN BE FOLLOWED BY:

- Garibaldi with One-Way
- Other rooms connected with an internal closed circuit
- Web Streaming
- Focus vision



ADJUSTMENT TO THE HEALTH PROTOCOL

In compliance with the provisions of personal distance

M2 CENTRALE

Multi-purpose Workspace

LAYOUT: **Quantitative in autofill in**

MISURE:

4,51m × 11,67 m

m² 52,63

RECEPTIVE CAPACITY:

F2F interviews up to 8 seats (interviewers + 8 respondents)

Autofill in interviews up to 16 places

EQUIPMENT AND SERVICES:

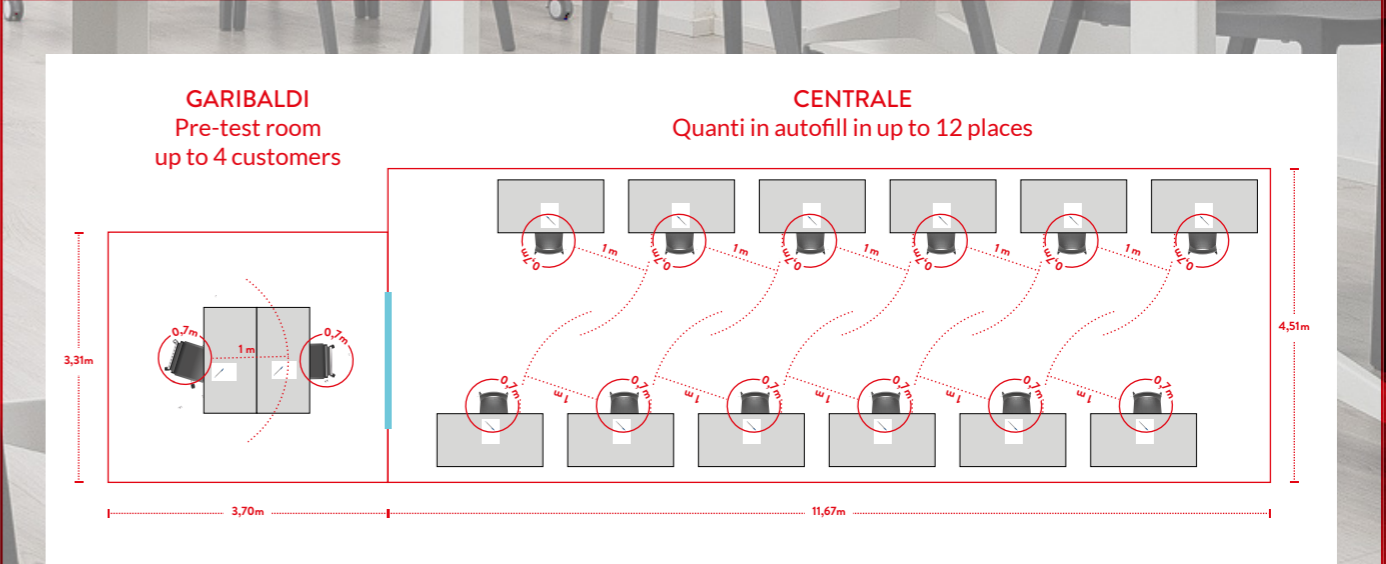
- Air-conditioned rooms
- WI-FI
- 60" monitor
- AV recording of the works
- Plexiglass on the wall to hang boards and concepts

POSSIBLE ADDITIONAL EQUIPMENT:

- POS shelves
- Product display
- Sofas

THE WORKS OF THIS ROOM CAN BE FOLLOWED BY:

- Garibaldi with One-Way
- Other rooms connected with an internal closed circuit
- Web Streaming
- Focus vision



ADJUSTMENT TO THE HEALTH PROTOCOL
In compliance with the provisions of personal distance

M2 CENTRALE

Multi-purpose Workspace

LAYOUT: **Quantitative Face-to-Face**

SIZES:

4,51m × 11,67 m

m² 52,63

RECEPTIVE CAPACITY:

It can accommodate up to 20 pax

EQUIPMENT AND SERVICES:

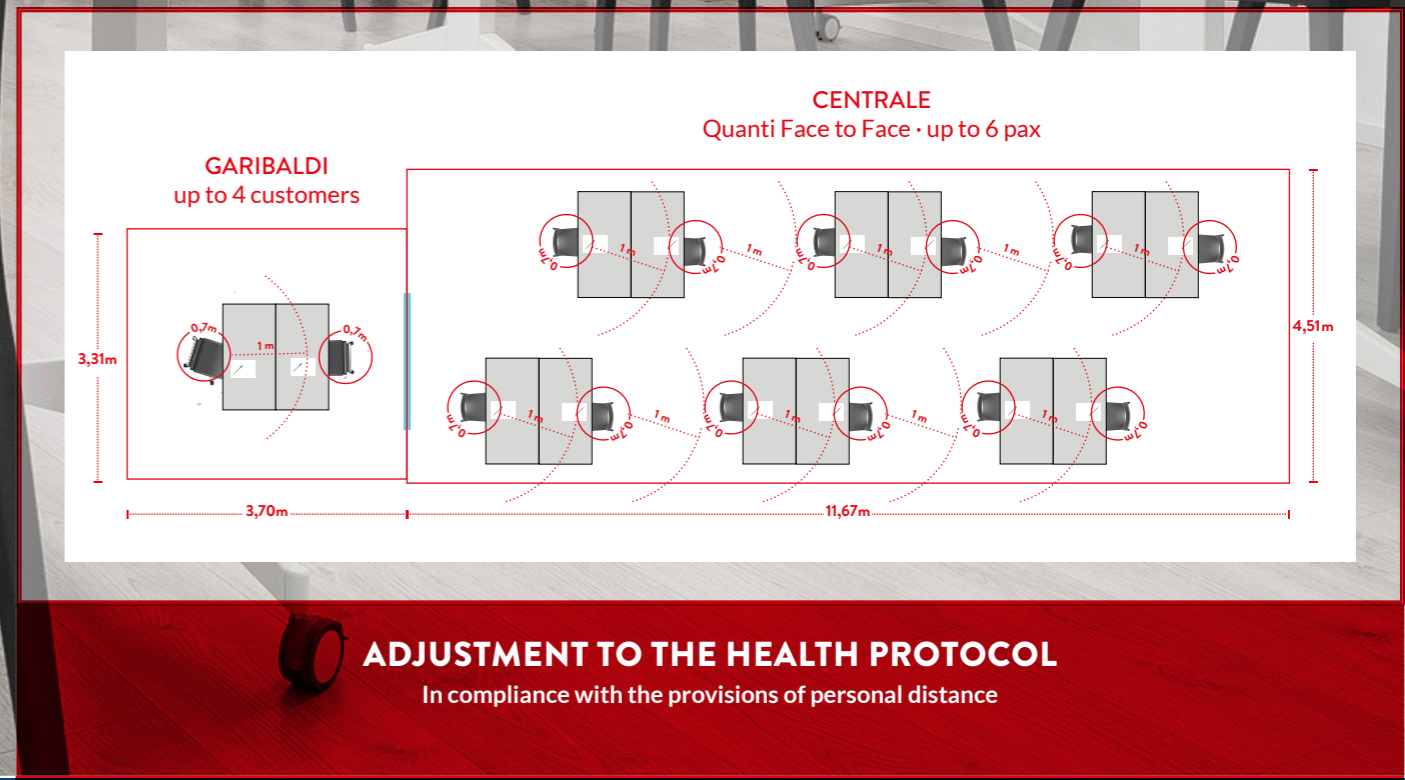
- Air-conditioned rooms
- WI-FI
- 60" monitor
- AV recording of the works
- Plexiglass on the wall to hang boards and concepts

POSSIBLE ADDITIONAL EQUIPMENT:

- POS shelves
- Product display
- Sofas

THE WORKS OF THIS ROOM CAN BE FOLLOWED BY:

- Garibaldi with One-Way
- Other rooms connected with an internal closed circuit
- Web Streaming



ADJUSTMENT TO THE HEALTH PROTOCOL
In compliance with the provisions of personal distance



M2 GARIBALDI

Observers' Room on Centrale

MISURE:

3,31m × 3,70 m
12,25 m²

RECEPTIVE CAPACITY:

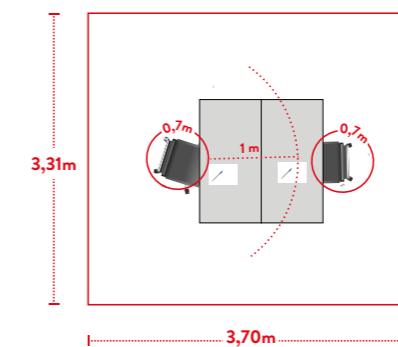
It can accommodate up to 5 pax

EQUIPMENT AND SERVICES:

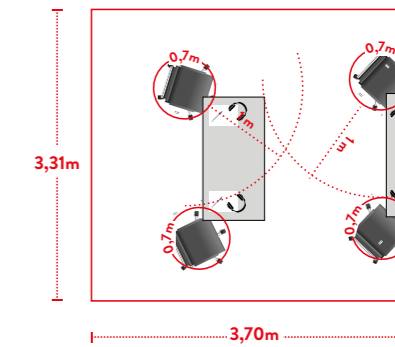
- One-way mirror
- Listening in wireless headphones or in diffusion from speakers
- Mini bar
- Air-conditioned rooms
- WI-FI



GARIBALDI
pre-test room
up to 4 customers



GARIBALDI
up to 4 customers



ADJUSTMENT TO THE HEALTH PROTOCOL

In compliance with the provisions of personal distance

M5 BICOCCA

Cooking room

EQUIPMENT AND SERVICES:

- 4 electric plates for cooking
- 2 fryers
- 2 ovens
- 1 dishwasher
- 3 fridge +2°/10° - 2.100 lt.
- 1 freezer 0/-18°
- food storage
- cutlery and consumables
- separate waste bins



M5 ISOLA

Director equipment

EQUIPMENT AND SERVICES:

- 6 recording channels
- 6 streaming channels (U-Stream)
- Focus vision
- Italian + foreign language
- backup copy

OUR STREAMING CHANNELS:

 FocusVision
See for yourself

 USTREAM



FIELDGOOD MILAN

Via Rubens 15
T +39 02 453 737 94
E info@fieldgood.it

www.fieldgood.it

INFO@FIELDGOOD.IT

SHOW GOOGLE MAPS



TRANSPORTATION:

- By metro : Red Line M1 "De Angeli" stop
- By Bus: 90 or 68

FIELDGOOD CONVENTION ACCOMMODATION AT HOTEL RUBENS ****:

- Single room € 105,00
- Double room for single use € 115,00
- Double room € 140,00

All rates listed are net and including 'buffet' breakfast
Service and VAT at 10%. Tourist tax € 5,00 per person/night not included
Guests will have free access to Wi-Fi, Fitness Room and car parking

CLOSE TO THE HOTEL:

- Piadineria
- Carrefour Market
- Rembrand Restaurant
- Sushi bar
- Molo 13 seafood
- Parking Car: Via Cacciolepori 14

WE PROVIDE OUR CUSTOMER (1 PLACE) FOR PARKING OR STORAGE OF GOODS / CHECK AVAILABILITY